

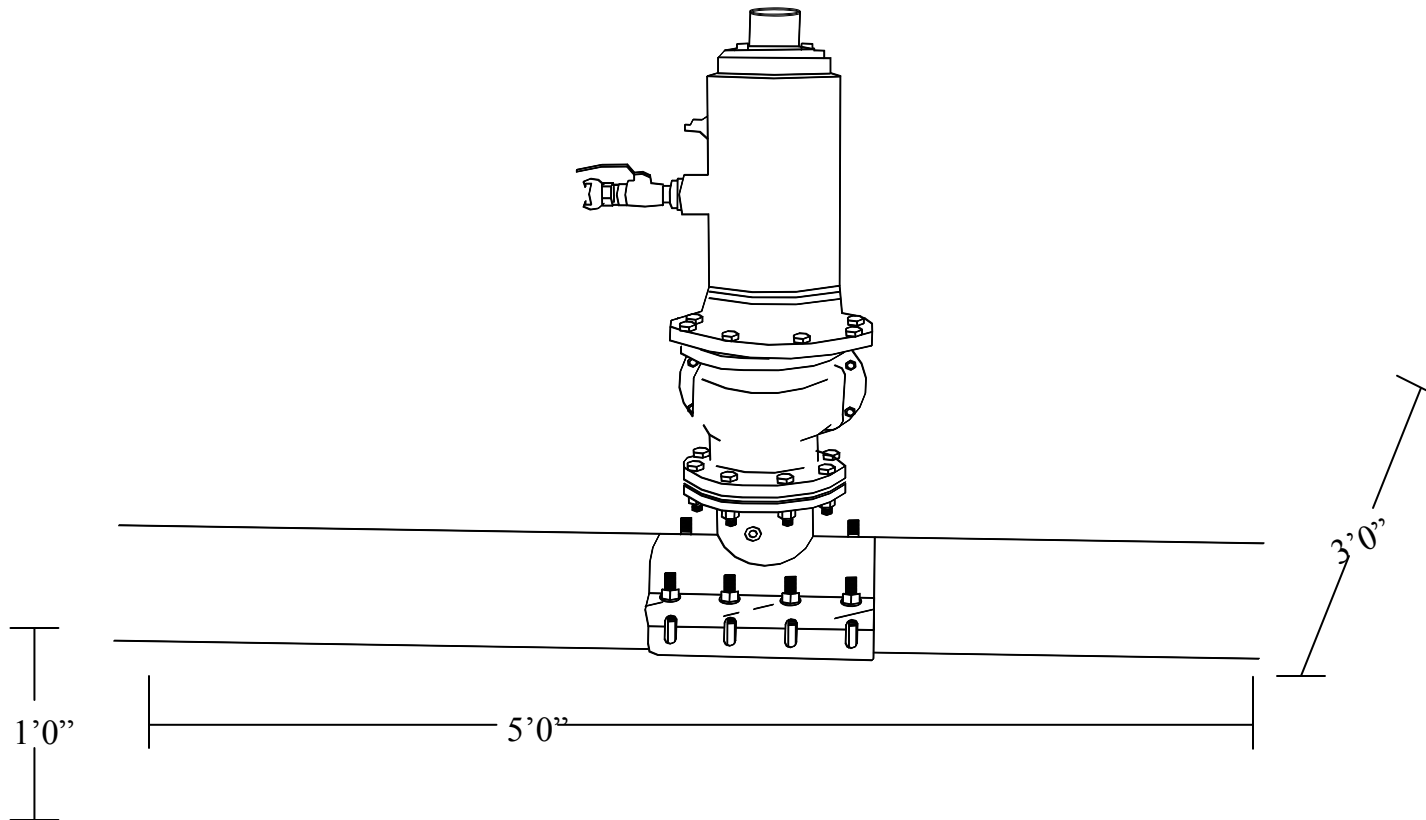
Minimum Excavation Dimensions Required for Pipeline Stop Up To 12"

Note:

- Excavation depth to be 1'0" (min.) below bottom of existing pipe.
- Gravel and/or boards required for footing & support
- Trench is required to be dewatered prior to installation
- Trench to be shored in accordance with OSHA standards
- Customer to insure under valve blocking/bracing



888-655-4085 24/7/365 EMERGENCY RESPONSE



Excavation Dimensions for larger size stops available upon application